

Nimbus D



Features

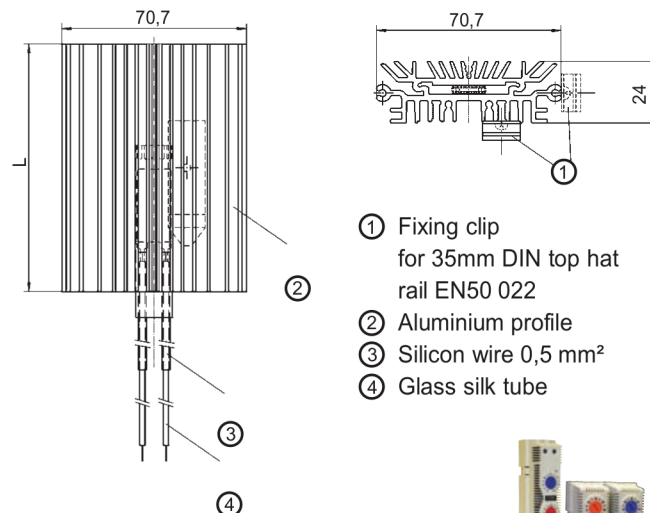
- Rugged aluminium extrusion profile
- Compact design with high power density
- Safety by temperature limitation
- Fixing clip can be mounted either at the wide side or at the narrow side. (See position 1 on the drawing below)

DBK's knowledge of thermal management gives us the experience to guide and support you with your technical challenges - we can manage the complete project from concept to full production release.

Nimbus D	65		95		125		175	
Rated power at 10° C [W]	30	50	40	60	50	75		100
External profile temp. (approx.) [°C]	130	205	135	205	160	190		200
Voltage range	110 - 240 V, AC / DC							
Protection class	II							
System of protection	IP 20							
Connection wires 2 x 0,5 mm ² , silicone	500 mm long							
Fixing	DIN Clip for 35 mm rail EN50 022							
Approvals	VDE, UL, CE							
Dimensions LxWxH [mm]	65x70,7x24		95x70,7x24		125x70,7x24		175x70,7x24	
Weight [kg]	0,13	0,14	0,18	0,19	0,23	0,24		0,34
Recommended fuse (time-delay) 240 V 110 V	4A 2A	6,3A 4A	4A 2A	6,3A 4A	4A 2A	6,3A 4A		6,3A 6,3A

Ordering Example: Nimbus D 95, 40 W, 110-240 V
Special design 12 - 24 V.

Construction Drawing



- Optional**
- Connection cable 2 x 0,75mm², Silicone

- ① Fixing clip for 35mm DIN top hat rail EN50 022
- ② Aluminium profile
- ③ Silicon wire 0,5 mm²
- ④ Glass silk tube

Matching Accessories:



- Thermostats (FGT100, FGT200)
- Dualstat (FGDT Series)

